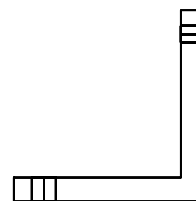
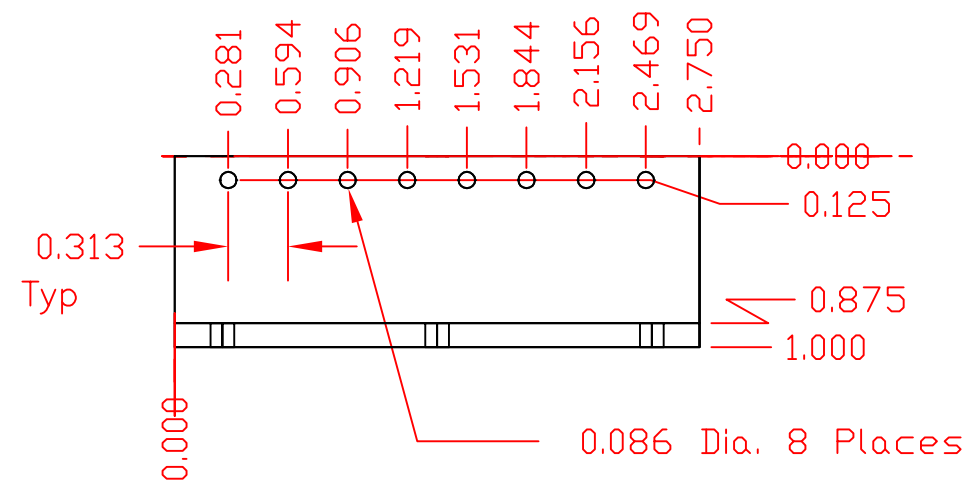
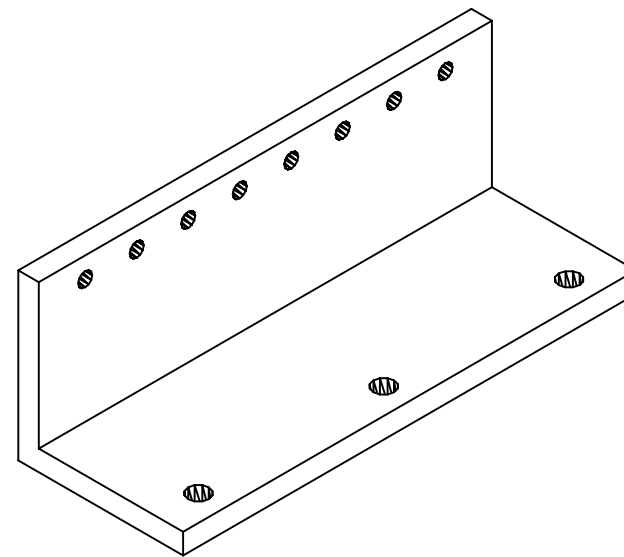
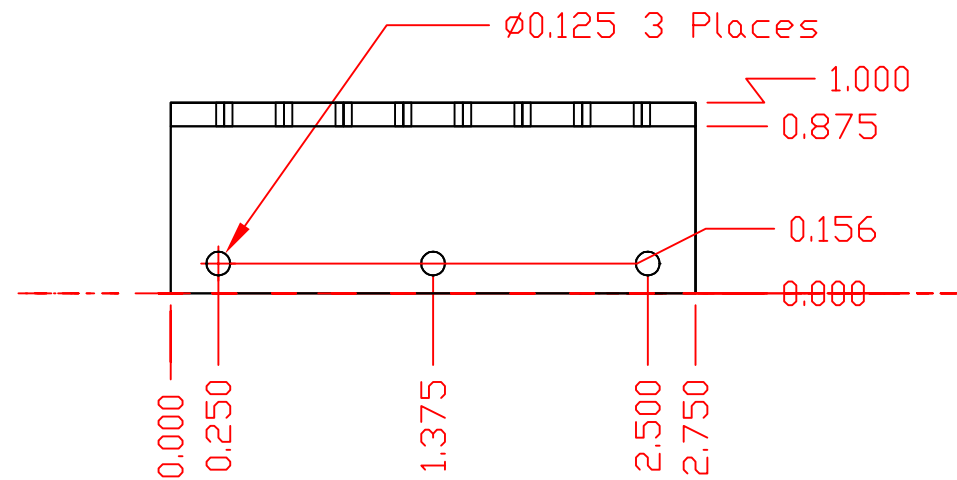


REV.	DESCRIPTION	DRAWN	DATE
		APPD.	DATE
A	Changed 7 to 8 Holes		6/8/99



ITEM	PART NO.	DESCRIPTION OR SIZE	QTY.
PARTS LIST			
UNLESS OTHERWISE SPEC.		ORIGINATOR	D. L. HUFFMAN
		DATE	4/21/98
FRACTIONS	DECIMALS	ANGLES	DRAWN
			CHECKED
			APPROVED
USED ON			
MATERIAL- 1x1x1/8" Aluminum Angle			


**FERMI NATIONAL ACCELERATOR LABORATORY**  
 UNITED STATES DEPARTMENT OF ENERGY

Preamp Power Supply  
 Output Connector Support

SCALE	FILMED	DRAWING NUMBER	REV.
1:1		3823.121.MB-330282	A