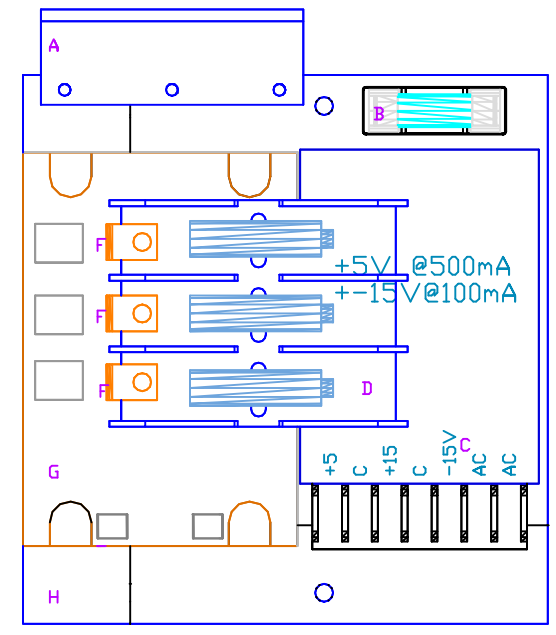
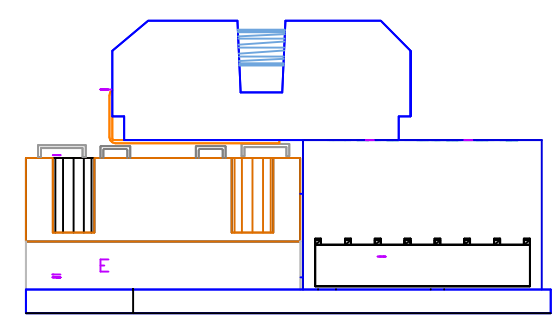
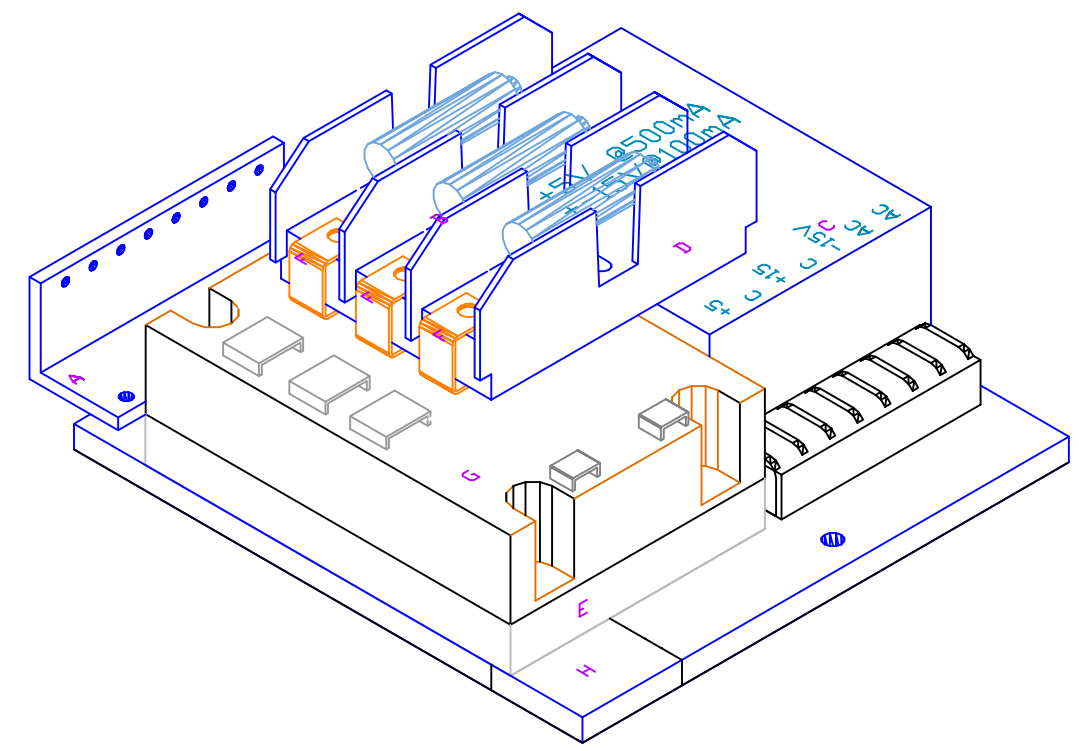


8 7 6 5 4 3 2 1

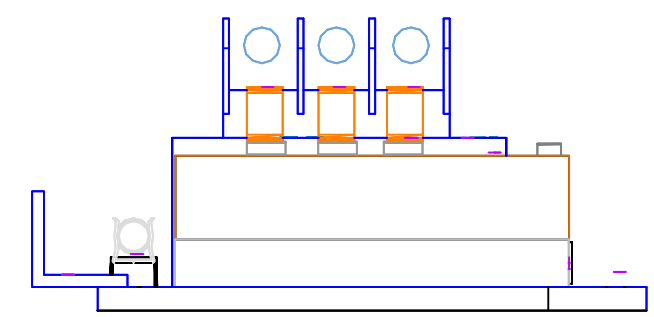
REVISIONS				
ZONE	REV	DESCRIPTION	DATE	APPROVED



TOP VIEW



BACK VIEW



LEFT SIDE VIEW

H	MD-330256	Control Power Mounting Plate	1
G	GA3-12025R	Solid State Relay	1
F	MB-330255	AC Fuse Conn. Copper Strap	3
E	MD-330257	Solid State Relay Spacer	1
D	Fuse Block	3 Phase Fuse holder	1
C	+- 15V +5V	Triple Output PS Polytron	1
B	357	Fuse Clip Holder Littlefuse	1
A	MB-330282	Output Connector Support	1

PPD/ETT/DO Electronics Group David L. Huffman		FERMI NATIONAL ACCELERATOR LABORATORY UNITED STATES DEPARTMENT OF ENERGY	
Calorimeter Electronics Upgrade Preamp Power Supply Control Power Assembly			
SIZE	FSOM NO.	DWG NO.	REV
D		3823.121.MD-330264	
03/11/99		SCALE 1:1	SHEET

8 7 6 5 4 3 2 1