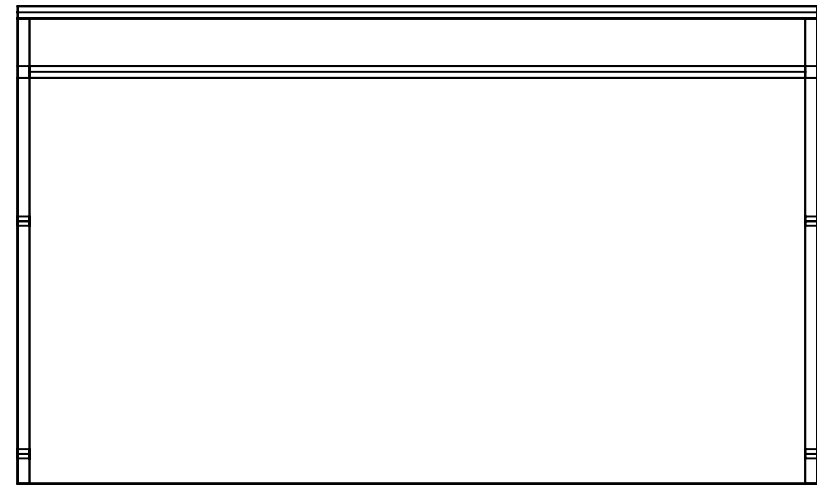
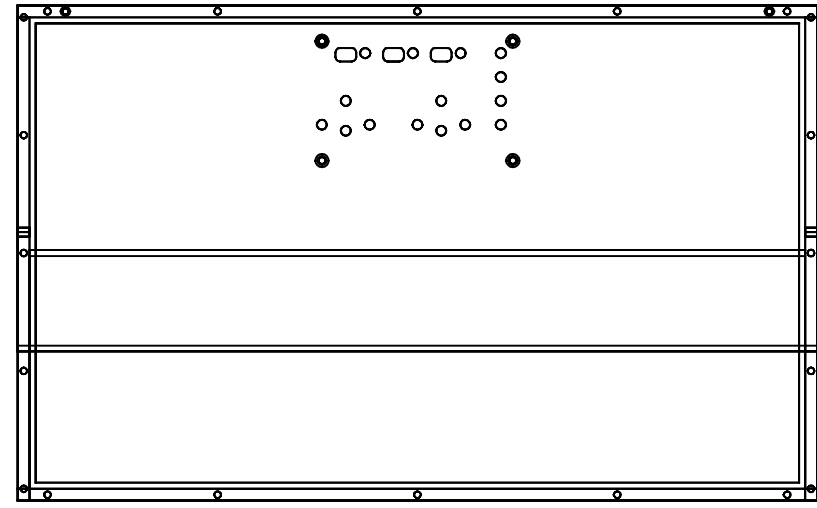
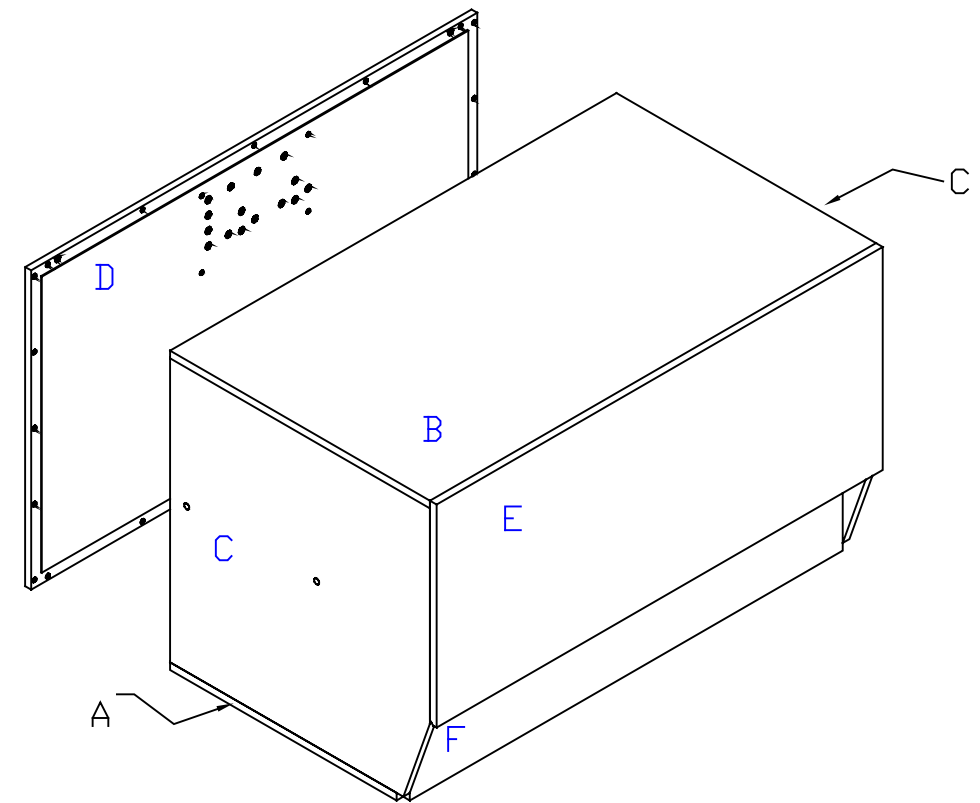


8 7 6 5 4 3 2 1

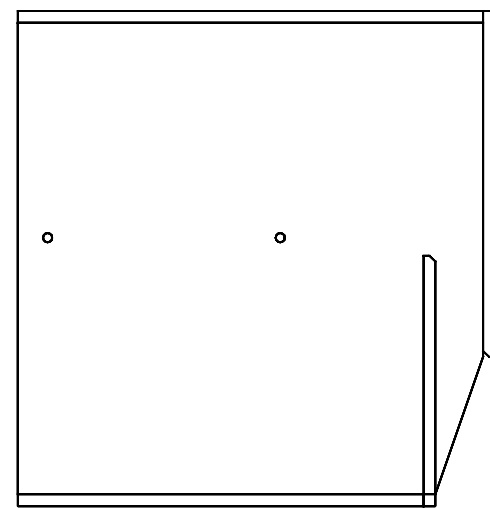
REVISIONS				
ZONE	REV	DESCRIPTION	DATE	APPROVED



TOP VIEW



FRONT VIEW



RIGHT VIEW

F	MD-330258	Steel Box Back Bottom	1
E	MD-330259	Steel Box Back Top	1
D	MD-330261	Steel Box Front	1
C	MD-330260	Steel Box Side	2
B	MD-330262	Steel Box Top	1
A	MD-330263	Steel Box Bottom	1

Preamp Power Supply  
Steel Box Assembly

SIZE	FSCM NO.	DWG NO.	REV
		3823.121.MD-330270	

11/20/98

SCALE	SHEET

8 7 6 5 4 3 2 1

D

C

B

A

D

C

B

A