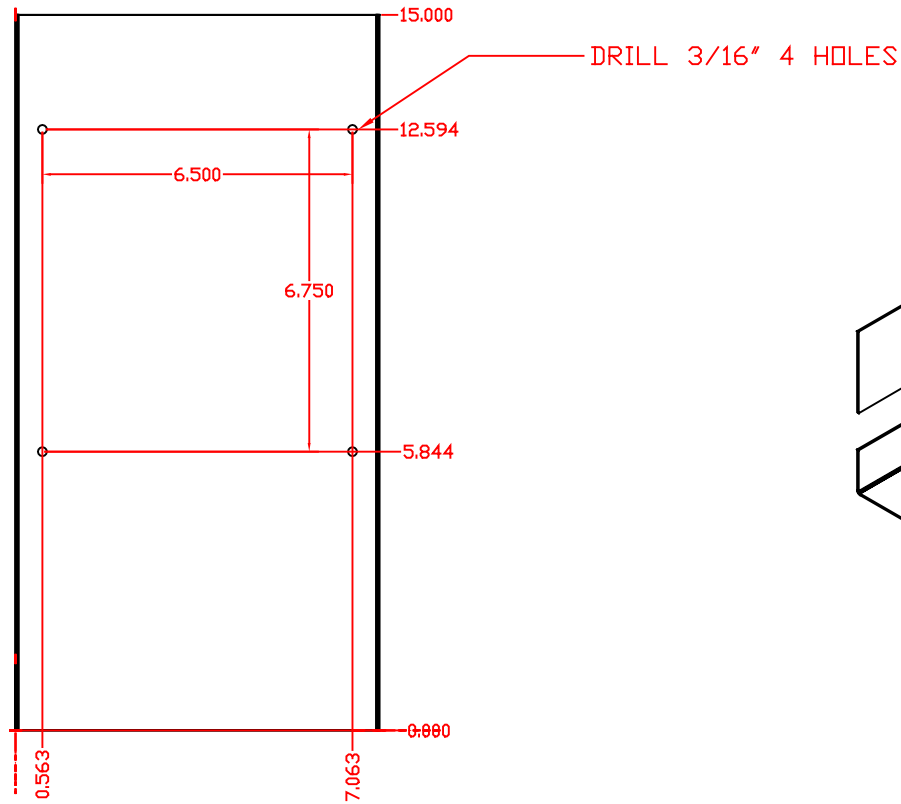
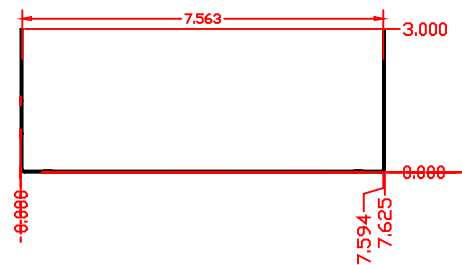
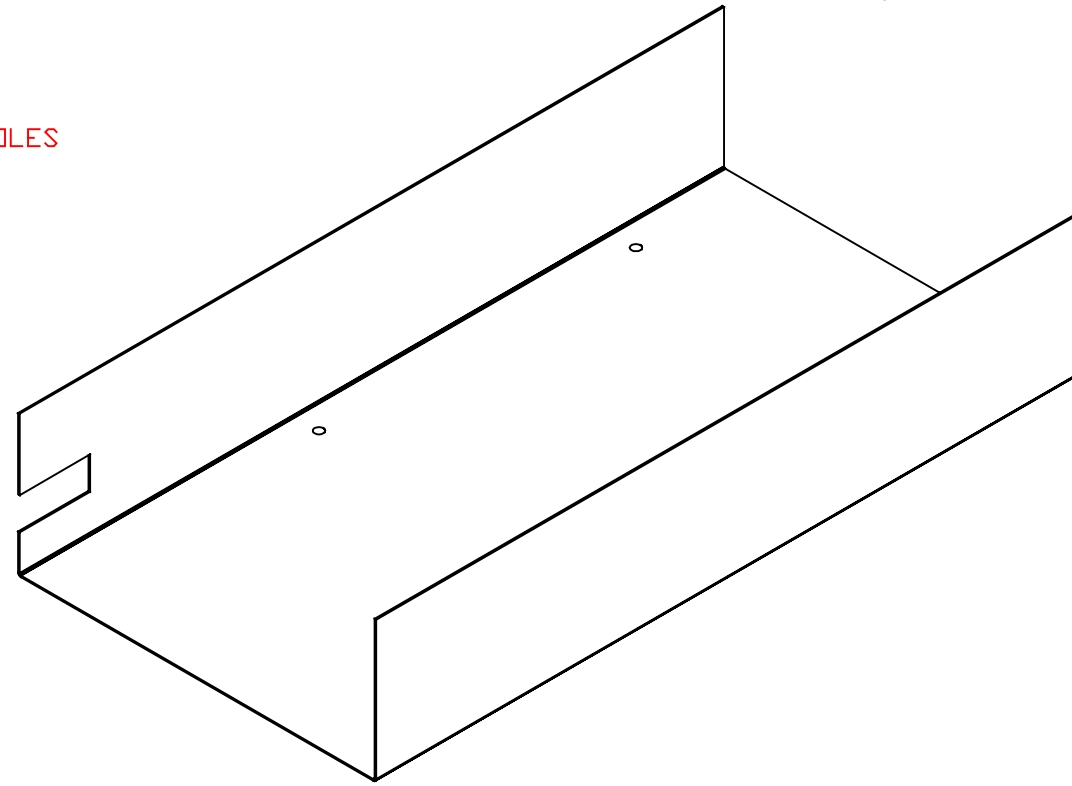


8 7 6 5 4 3 2 1

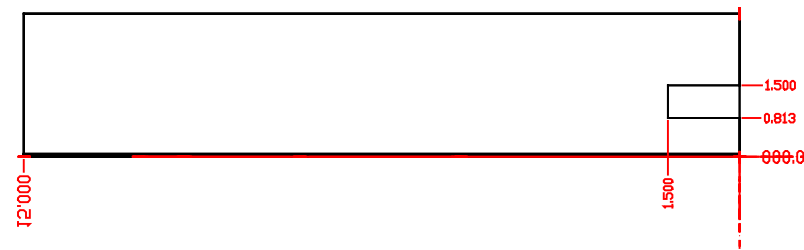
REVISIONS			DATE	APPROVED
ZONE	REV	DESCRIPTION		



TOP VIEW



FRONT VIEW



LEFT SIDE VIEW

1/32" High Sat. Matl.

PPD/ETT/DO Electronics Group David L. Huffman		FERMI NATIONAL ACCELERATOR LABORATORY UNITED STATES DEPARTMENT OF ENERGY	
		Calorimeter Electronics Upgrade Preamp Power Supply Magnetic Shield Bottom	
SIZE	FORM NO.	DWG NO.	REV
D		3823.121.MD-330271	
03/11/99		SCALE 2:1	SHEET

8 7 6 5 4 3 2 1

D

C

B

A

D

C

B

A