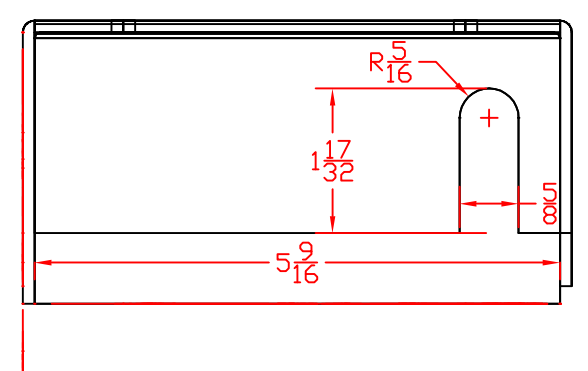
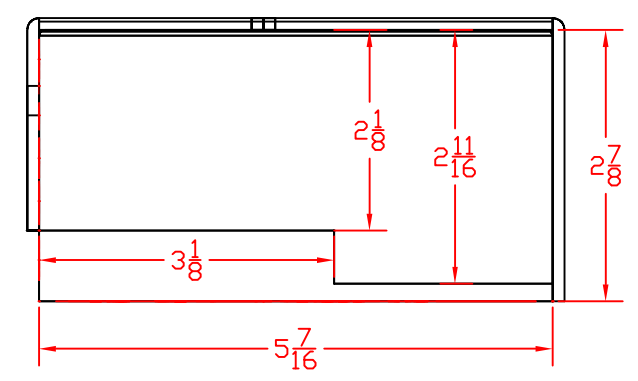
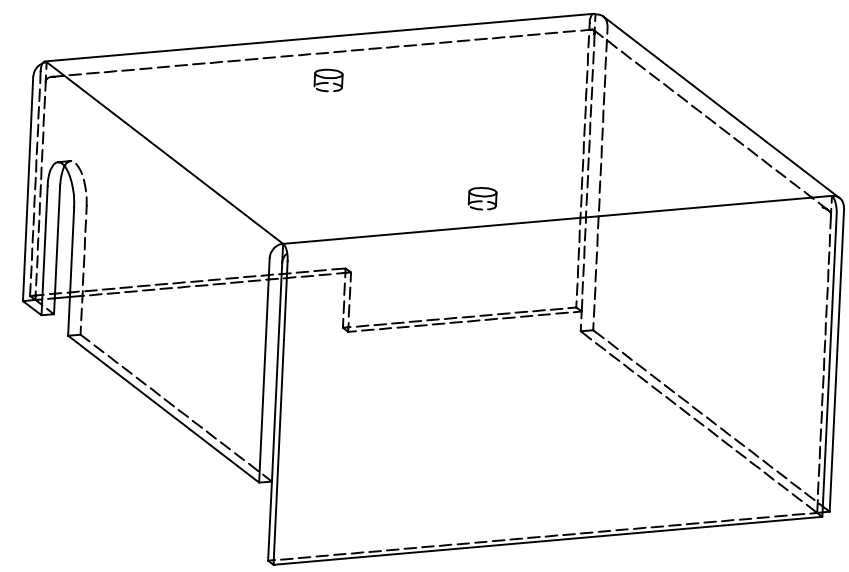
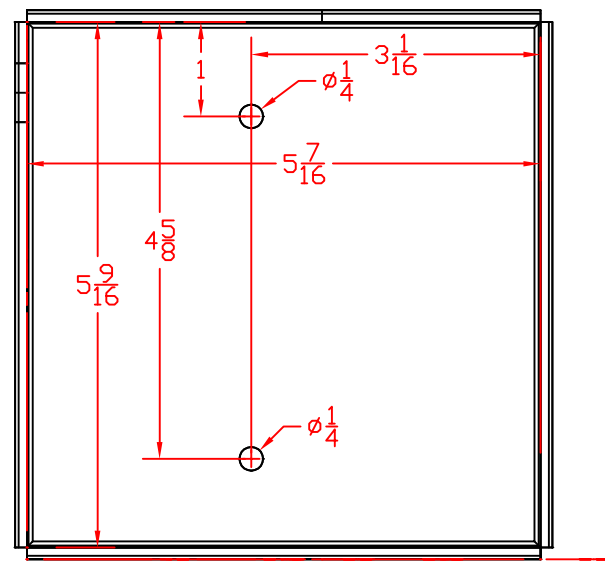


REVISIONS				
ZONE	REV	DESCRIPTION	DATE	APPROVED



1/8" Polycarbonate

PPD/ETT/DO Electronics Group David L. Huffman	FERMI NATIONAL ACCELERATOR LABORATORY UNITED STATES DEPARTMENT OF ENERGY			
	Calorimeter Electronics Upgrade AC Power Cover			
SIZE D	FSCM NO.	DWG NO. 3823.121.MD-330368	REV	
1/22/01	SCALE	SHEET		